

Sanland Premium Components

Symons® Cone & Gyratroy Crushers

2FT | 3FT | 4FT | 4¼FT | 5½FT | 7FT

Gyratory Crushers



BOWL ASSEMBLY

- Hydraulic Locking Post
- Duckworth Lock Post
- Feed Hopper
- Bowl
- Feed Cone
- U-Bolt Assembly

ADJUSTMENT RING ASSEMBLY

- Adjustment Cap
- Adjustment Ring
- Spring Bolt/Spring

LINER ASSEMBLY

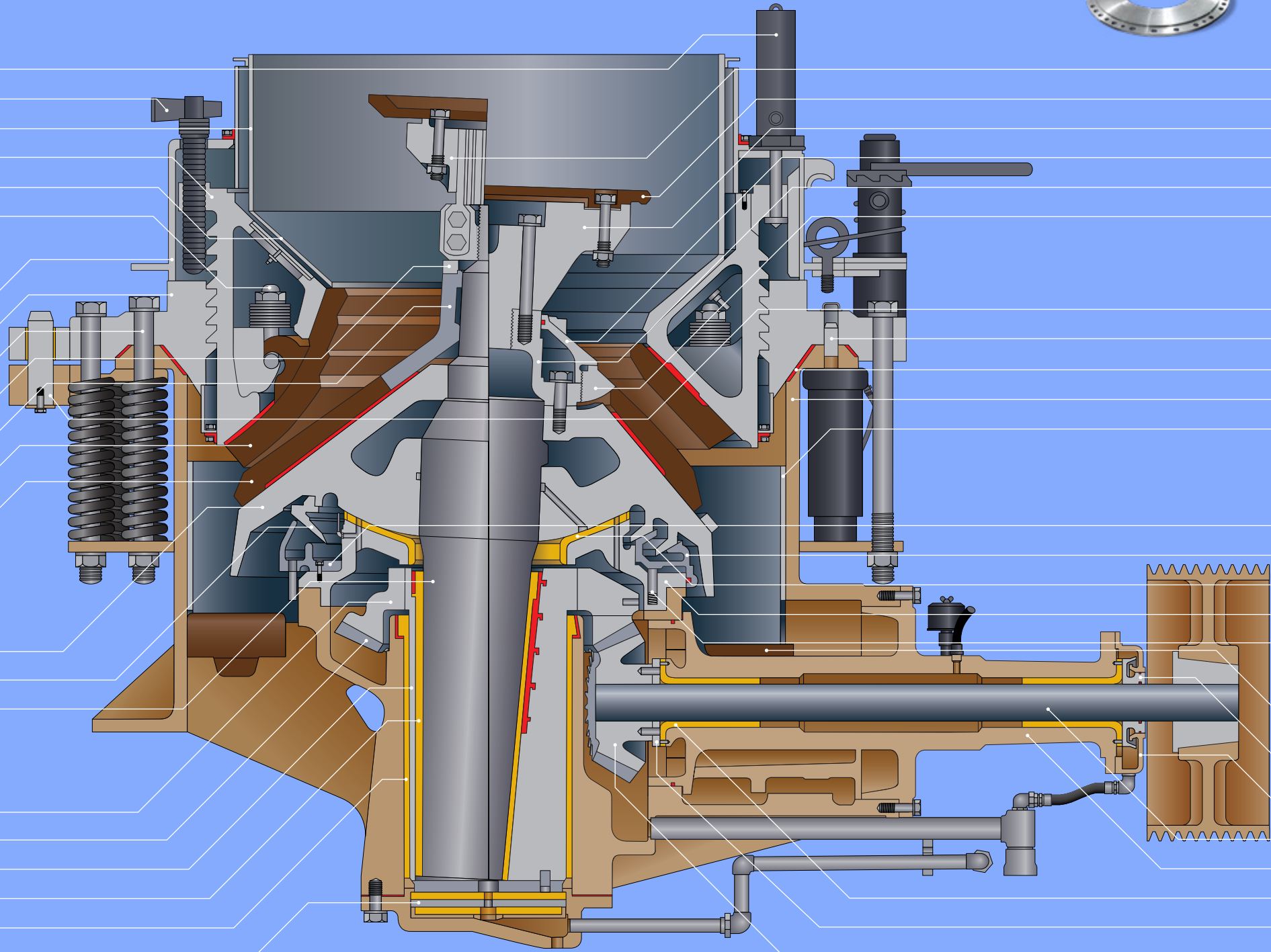
- Torch Ring
- Main Shaft Sleeve
- Bowl Liner
- Mantle

HEAD ASSEMBLY

- Head
- Baffle Ring
- Main Shaft

ECCENTRIC ASSEMBLY

- Counterweight
- Gear
- Eccentric
- Inner Eccentric Bushing
- Outer Eccentric Bushing
- Step Plates



FEED ASSEMBLY

- Main Shaft Nut
- Feed Plate
- Feed Distributor
- Locking Nut Cover
- Locking Co
- Locking Nut

MAIN FRAME ASSEMBLY

- External Pin
- Internal Pin
- Main Frame Seat Liners
- Main Frame
- Main Frame Liner

SOCKET ASSEMBLY

- Water Chamber
- Socket Sealing Ring
- Socket Liner
- Socket
- Housing and Spring

COUNTERSHAFT ASSEMBLY

- Box Guard
- Oil Flinger
- Oil Flinger Housing
- Countershaft
- Countershaft Box
- Countershaft Bushing
- Thrust Washer
- Pinion



Sanland Premium Components

GP Series® Cone Crushers

G8™ | G11™ | G12™ | G15™ | GP100™ | GP200™ | GP300™ | GP500™ | GP550™

UPPER FRAME ASSEMBLY

- Top Bearing Cover
- Upper Frame Arm Guard
- Top Bearing
- Upper Frame
- Upper Frame Protection Plate

INTERMEDIATE FRAME ASSEMBLY

- Intermediate Frame
- Concaves
- Concave Mounting Bolt
- Jacking Bolt

LOWER FRAME ASSEMBLY

- Frame Bushing
- Lower Frame Arm Guard
- Piston Guide
- Lower Frame

STEP PLATE ASSEMBLY

- Upper Thrust Bearing Plate
- Thrust Bearing Plate
- Piston Seal
- Lower Thrust Bearing Plate

MAINSHAFT ASSEMBLY

- Mainshaft Protecting Sleeve
- Mainshaft
- Mantle Locking Nut
- Torch Ring
- Head
- Mantle
- Dust Seal
- Slide Ring

ADDITIONAL COMPONENTS

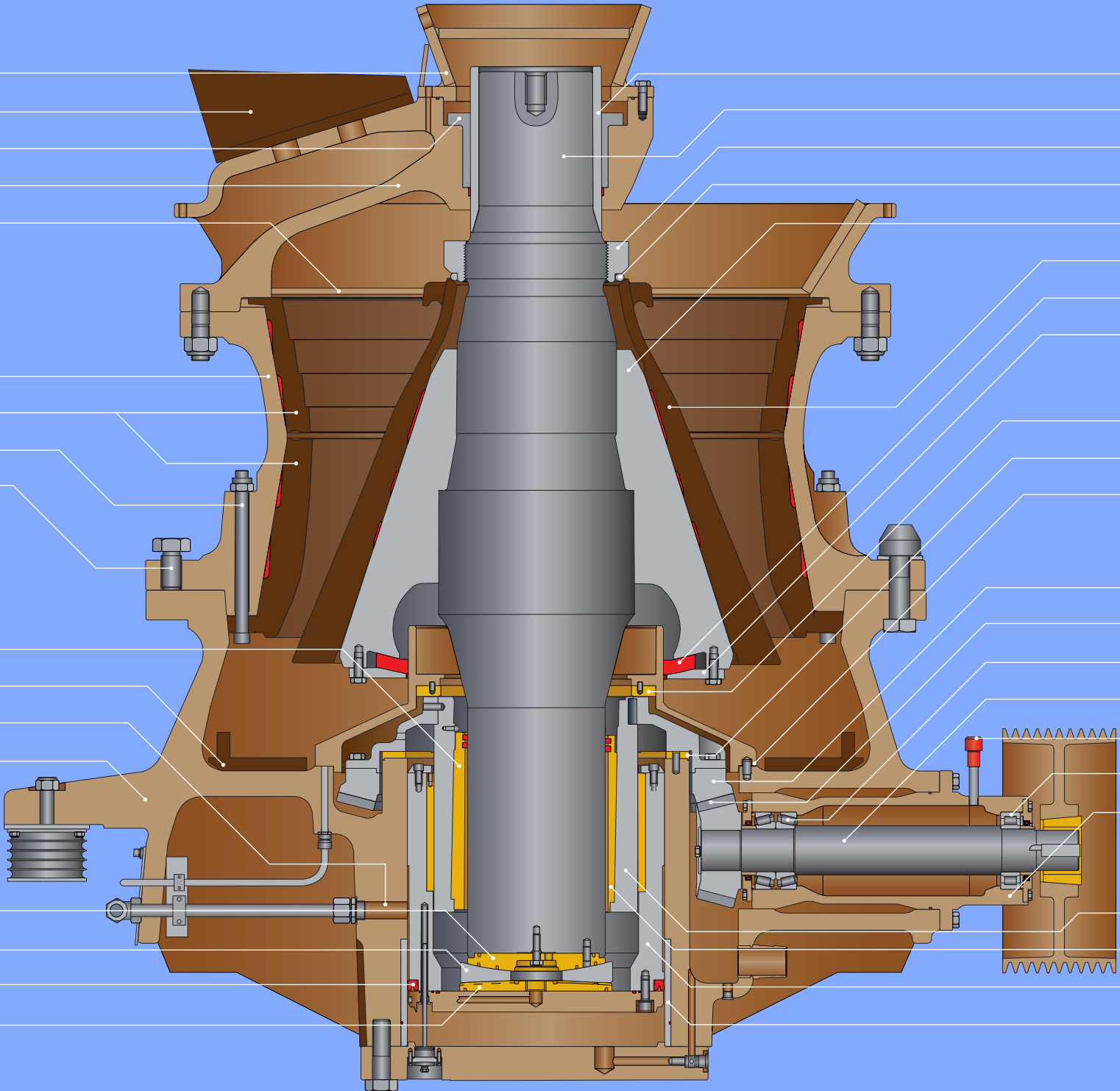
- Upper Thrust Bearing
- Lower Thrust Bearing
- Slip Ring

COUNTERSHAFT ASSEMBLY

- Gear
- Pinion
- Roller Bearings
- Countershaft
- Breather
- Roller Bearing
- Countershaft Housing

ECCENTRIC ASSEMBLY

- Eccentric Shaft
- Eccentric Bushing
- Piston
- Adjusting Piston Bushing



Sanland Premium Components

HP Series Cone Crushers

HP200™ | HP300™ | HP400™ | HP500™ | HP700™ | HP800™

BOWL ASSEMBLY

Adjustment Cap
Bowl
Drive Ring

LINER & HOPPER COMPONENTS

Hopper Assembly
Bowl Liner
Hardware
Adapter Ring
Seat Liner

HYDRAULIC COMPONENTS

Hydraulic Drive Assembly
Clamping Cylinder
Tramp Release Cylinder

HEAD ASSEMBLY

Pin
Head Ball
Mantle
Head
Upper Head Bushing
T-Seal
Lower Head Bushing

MAIN FRAME ASSEMBLY

Main Frame Liner
Arm Guard
U-Seal
Lower Thrust Bearing
Main Shaft
Main Frame

FEED PLATE ASSEMBLY

Cap Screw
Feed Plate
Torch Ring
Locking Bolt

ADJUSTMENT RING ASSEMBLY

Dust Shell Seal
Clamping Ring
Dust Shell
Adjustment Ring
Main Frame Pin

SOCKET ASSEMBLY

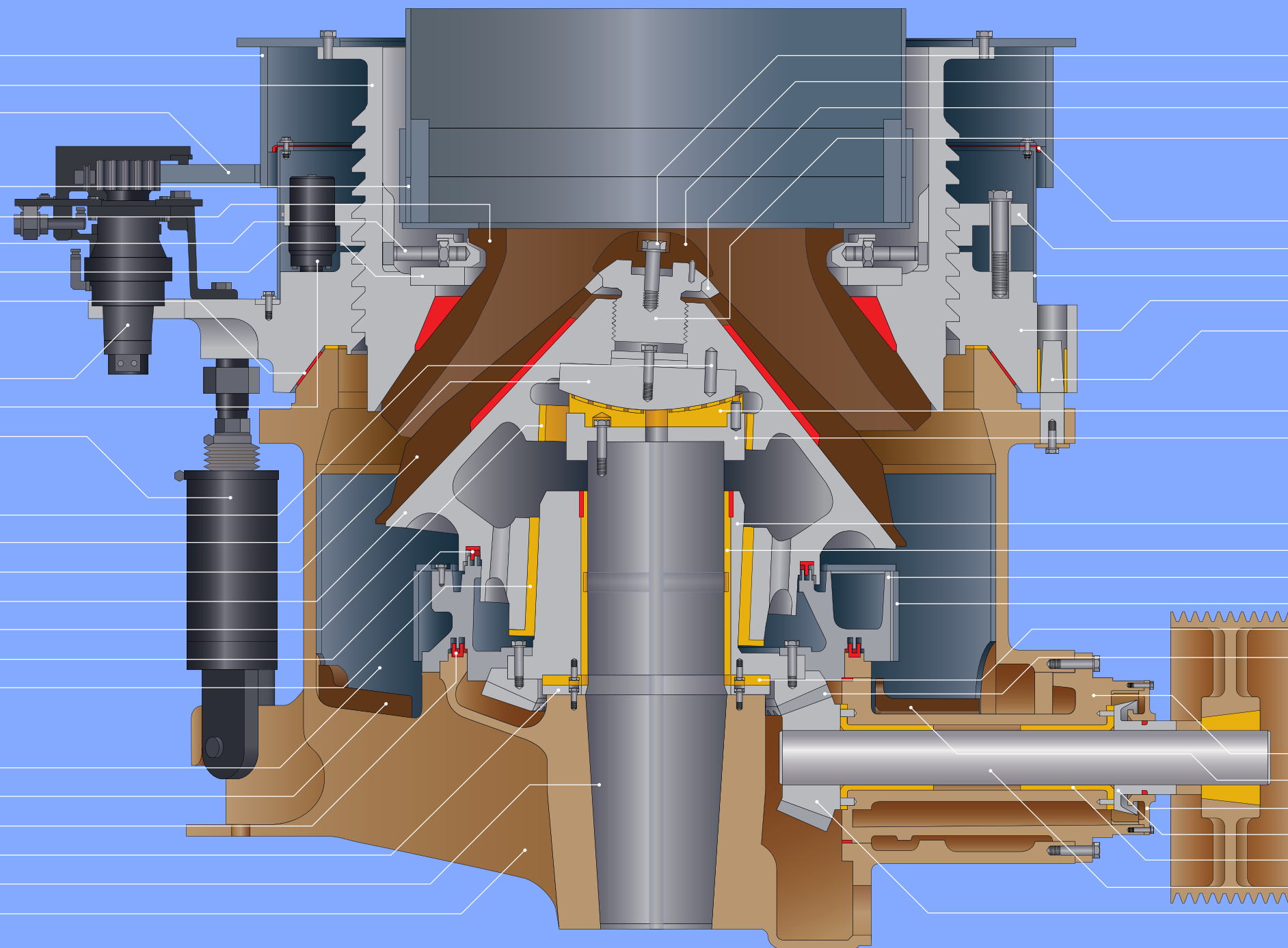
Socket Liner
Socket

ECCENTRIC ASSEMBLY

Eccentric
Eccentric Bushing
Counterweight
Counterweight Guard
Upper Thrust Bearing
Gear

COUNTERSHAFT ASSEMBLY

Countershaft Box
Countershaft Box Guard
Oil Flinger Cover
Oil Flinger
Countershaft Bushing
Countershaft
Pinion



Sanland Premium Components

HP4™ | HP5™

BOWL ASSEMBLY

- Adjustment Cap
- Conical Hopper
- Bowl
- Bowl Liner
- Clamping Fork
- Drive Ring

HYDRAULIC COMPONENTS

- Hydraulic Drive Assembly
- Tramp Release Cylinder
- Accumulator

HEAD ASSEMBLY

- Mantle
- Head
- Head Ball
- Head Bushing
- T-Seal

MAIN FRAME ASSEMBLY

- U-Seal
- Main Frame Liner
- Arm Guard
- Lower Thrust Bearing
- Main Shaft
- Main Frame

FEED PLATE ASSEMBLY

- Feed Plate
- Locking Bolt
- Torch Ring

ADJUSTMENT RING ASSEMBLY

- Dust Shell
- Dust Shell Seal
- Clamping Ring
- Adjustment Ring
- Main Frame Pin

SOCKET ASSEMBLY

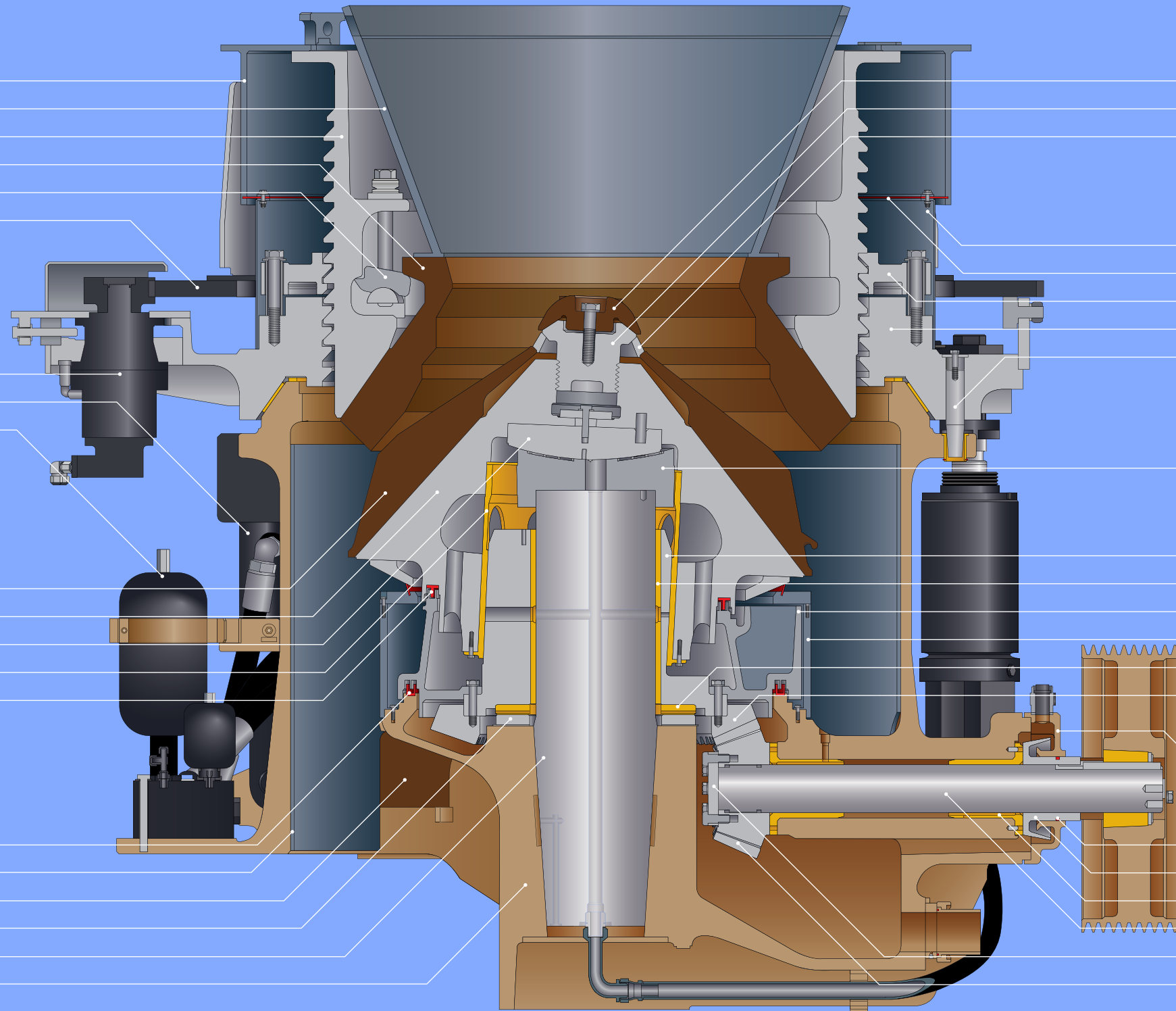
- Socket

ECCENTRIC ASSEMBLY

- Eccentric
- Eccentric Bushing
- Counterweight
- Counterweight Guard
- Upper Thrust Bearing
- Drive Gear

COUNTERSHAFT ASSEMBLY

- Housing
- Piston Seal
- Oil Flinger
- Countershaft Bushing
- Countershaft
- Lock Washer
- Pinion



Sanland Premium Components

MP® Series Cone Crushers

MP800™ | MP1000™ | MP1250™

BOWL ASSEMBLY

- Hopper Assembly
- Adjustment Cap
- Bowl
- Drive Ring

ADJUSTMENT RING ASSEMBLY

- Dust Shell Seal
- Dust Shell
- Clamp Ring
- Clamping Cylinder
- Adjustment Ring
- Tramp Release Cylinder

HEAD ASSEMBLY

- Pin
- Head Ball
- Head
- Upper Head Bushing
- T-Seal
- Lower Head Bushing

MAINFRAME ASSEMBLY

- Mainframe Liner
- Stationary Guard
- U-Seal
- Arm Guard
- Mainshaft
- Thrust Washer
- Mainframe

FEED PLATE ASSEMBLY

- Feed Plate
- Locking Nut
- Torch Ring

LINER & HOPPER COMPONENTS

- Mantle
- Bowl Liner
- Bowl Adapter Ring
- Hardware

SOCKET ASSEMBLY

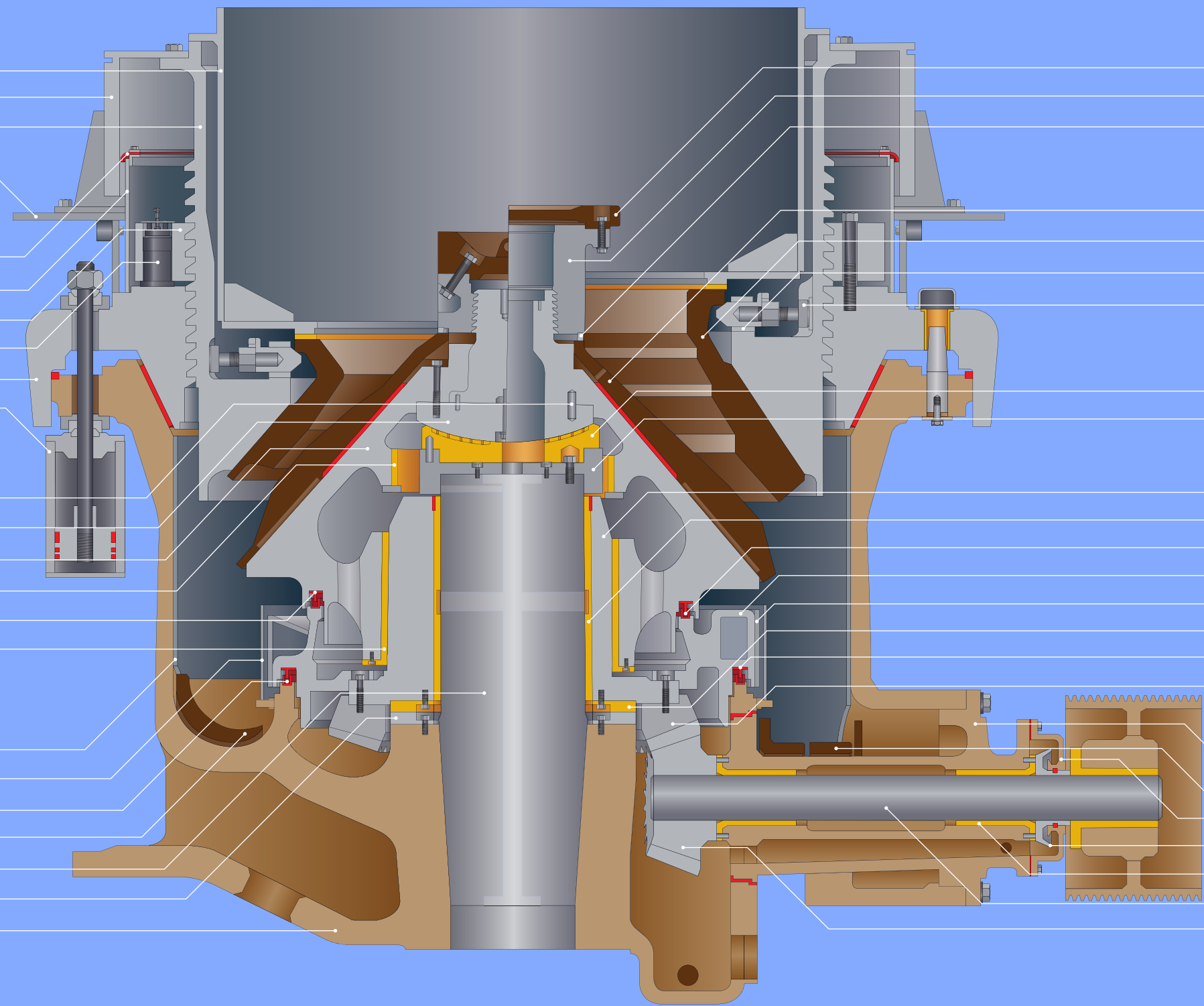
- Socket Liner
- Socket

ECCENTRIC ASSEMBLY

- Eccentric
- Eccentric Bushing
- U-Seal
- Counterweight
- Counterweight Guard
- Thrust Bearing
- T-Seal
- Gear

COUNTERSHAFT ASSEMBLY

- Countershaft Box
- Countershaft Box Guard
- Flinger Housing
- Oil Flinger
- Countershaft Bushing
- Countershaft
- Pinion



Sanland Premium Components

Sandvik® Cone Crushers

H-SERIES | CH-SERIES | S-SERIES | CS-SERIES

TOPSHELL ASSEMBLY

- Spider Cap
- Arm Shield
- Topshell
- Spider Bushing
- Oil Seal
- Concave Support Ring
- Concave Retaining Bolt & Washers
- Jacking Bolt

BOTTOMSHELL ASSEMBLY

- Bottomshell
- Dust Collar
- Bottomshell Bushing
- Arm Guards

ECCENTRIC ASSEMBLY

- Retainer
- Hub
- Eccentric Wear Plate
- Gear
- Locating Bar
- Eccentric Bushing
- Eccentric Key
- Eccentric

STEP PLATE ASSEMBLY

- Mainshaft Step Plate
- Step Washer
- Piston Wearing Plate

MAINSHAFT ASSEMBLY

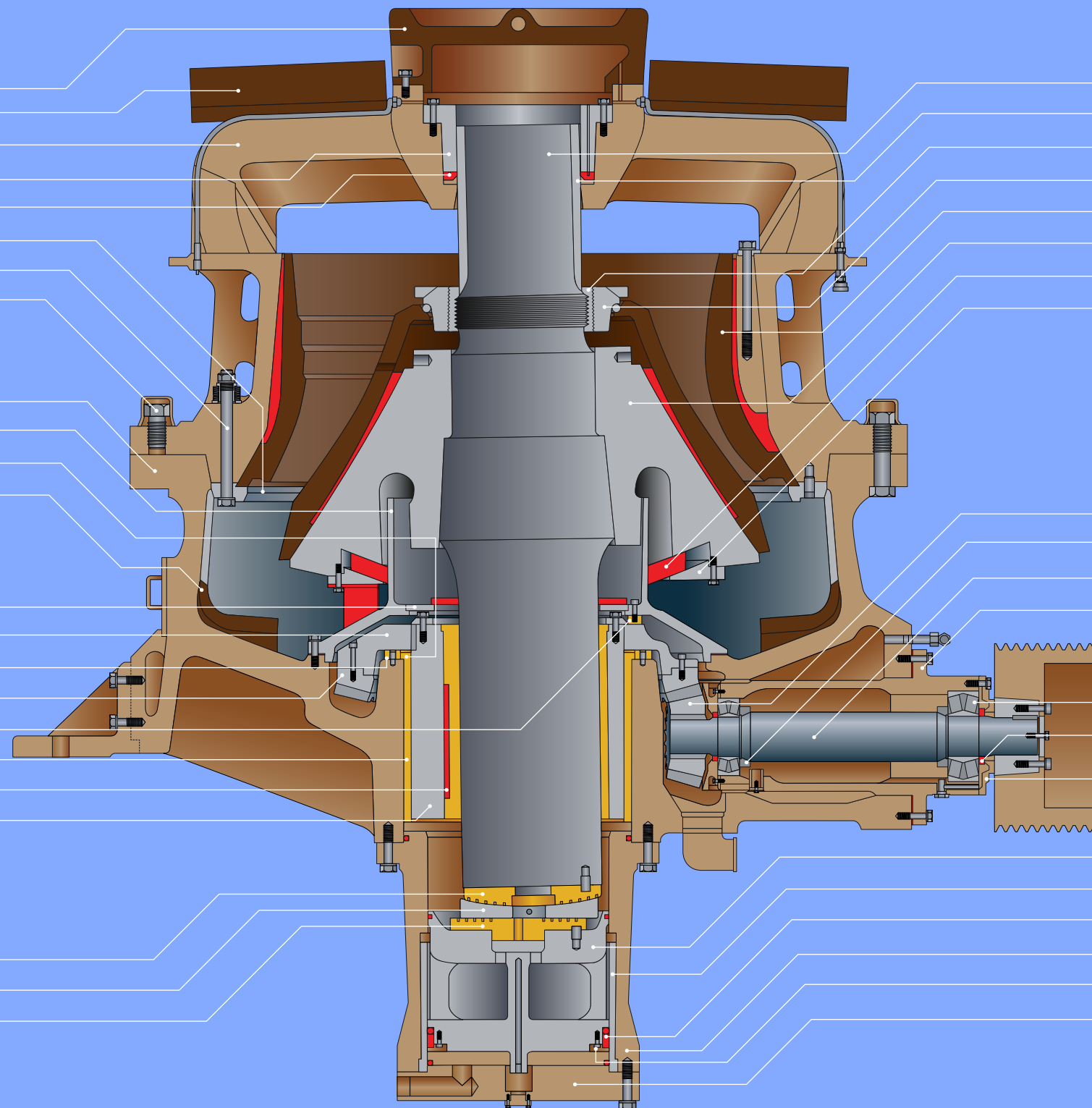
- Mainshaft
- Mainshaft Sleeve
- Inner Head Nut
- Head Nut with Burning Ring
- Concave Ring
- Head Center
- Dust Seal Ring
- Dust Seal Retainer

PINIONSHAFT ASSEMBLY

- Pinion
- Pinion End Bearing
- Pinionshaft
- Pinionshaft Housing
- Sheave End Bearing
- Pinionshaft Oil Seal
- Seal Plate

HYDROSET™ ASSEMBLY

- Piston
- Hydroset™ Cylinder
- Chevron King
- Hydroset™ Cylinder
- Packing Clamp Plate
- Hydroset™ Cylinder Cover



Sanland Premium Components

C Series Jaw Crusher

C63|C80|C100|C96|C106|C116|C3054|C120|C125|C140|C150|C160|C200

